

# 810L LAVATORY

## Accessible Collection

*Enjoy the simple, timeless style of this proven performer*

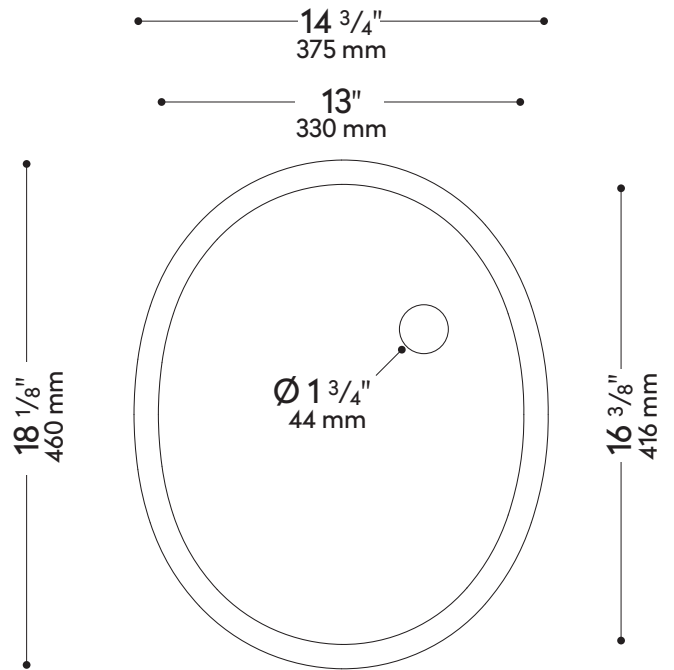
- Standard Integral Front Overflow
- Options: No overflow
- Made from an acrylic-polyester solid surface
- Nonporous surface, that with proper cleaning, resists mold, mildew and stains
- Suitable for multi-bowl installations in both residential and commercial settings
- ADA compliant when installed according to guidelines

### INSIDE SINK DIMENSIONS

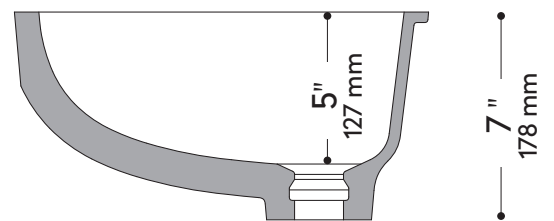
Length	Width	Depth	Area
16 3/8 in.	13 in.	5 in.	171.0 in. <sup>2</sup>
416 mm	330 mm	127 mm	1103 cm <sup>2</sup>

Measurements rounded to nearest 1/8" or mm

### TOP VIEW



### SIDE CROSS SECTION



### DRAIN

All drain holes in sinks are nominally 1 3/4" in diameter and accept all standard drain hardware.



## 810L LAVATORY

---

### COLOR SELECTIONS



Colors are color and translucency-matched. They can be seamed to sheet colors with the same color name for a continuous appearance. Exact color match is not guaranteed as the products are made by different processes and some variation might occur within the allowed specification limits.

Images shown may vary from actual color, we recommend ordering a material sample to ensure color and aesthetic accuracy.

### CERTIFICATIONS

Complies with the requirements in CSA B45.5/IAPMO Z124 standard for plastic plumbing fixtures and the requirements in the HUD Use of Materials Bulletin No. 73a.

Corian® Solid Surface plumbing products are listed by Home Innovation Research Labs and UL as meeting the requirements of the Uniform Plumbing Code, the International Plumbing Code, and are listed by ULC as meeting the requirements of the National Plumbing Code of Canada. Corian® Solid Surface is GREENGUARD Gold Certified for low VOC emissions.

### GUIDELINES FOR DESIGN AND CONSTRUCTION OF HOSPITALS, THE FACILITIES GUIDELINES INSTITUTE, 2018

The lavatory, or sink design is only part of meeting the guidelines provided in *Guidelines for Design and Construction of Hospitals*. Applicable sections are cited below. Specifiers should ensure that installation and other components such as faucets and hand controls are compliant as well.

#### 2.1-8.4.3.2 Hand-washing station sinks

(2) This lavatory meets the nominal size (opening area) requirement of 144 sq. in. (929.08 cm<sup>2</sup>) and minimum width and length of 9 in. (22.86 cm).

(3) This lavatory meets the composition requirement of solid surface material.

#### A2.1-8.4.3.2 ADA

This lavatory can be installed such that it is compliant for ADA clearances.

### WARRANTY

DuPont offers limited commercial and residential warranties.

### ADDITIONAL INFORMATION

For additional information or support please contact your local distributor, visit [corian.com](http://corian.com) or call 1-800-4-CORIAN (1-800-426-7426).

PLEASE VISIT OUR WEB SITE: [WWW.CORIAN.COM](http://WWW.CORIAN.COM) OR CONTACT YOUR CORIAN® REPRESENTATIVE FOR MORE INFORMATION ABOUT CORIAN® DESIGN

This information is based on technical data that DuPont Specialty Products USA, LLC and its affiliates ("DuPont") believe to be reliable, and is intended for use by persons having technical skill and at their own discretion and risk. DuPont cannot and does not warrant that this information is absolutely current or accurate, although every effort is made to ensure that it is kept as current and accurate as possible. Because conditions of use are outside DuPont's control, DuPont makes no representations or warranties, express or implied, with respect to the information, or any part thereof, including any warranties of title, non-infringement of copyright or patent rights of others, merchantability, or fitness or suitability for any purpose and assumes no liability or responsibility for the accuracy, completeness, or usefulness of any information. This information should not be relied upon to create specifications, designs, or installation guidelines. The persons responsible for the use and handling of the product are responsible for ensuring the design, fabrication, or installation methods and process present no health or safety hazards. Do not attempt to perform specification, design, fabrication, or installation work without proper training or without the proper personal protection equipment. Nothing herein is to be taken as a license to operate under or a recommendation to infringe any patents. DuPont shall have no liability for the use of or results obtained from such information, whether or not based on DuPont's negligence. DuPont shall not be liable for (i) any damages, including claims relating to the specification, design, fabrication, installation, or combination of this product with any other product(s), and (ii) special, direct, indirect or consequential damages. DuPont reserves the right to make changes to this information and to this disclaimer. DuPont encourages you to review this information and this disclaimer periodically for any updates or changes. Your continued access or use of this information shall be deemed your acceptance of this disclaimer and any changes and the reasonableness of these standards for notice of changes.

The Corian® Design Logo and Corian® and all trademarks and service marks denoted with ™, ® or ® are owned by affiliates of DuPont de Nemours, Inc. unless otherwise noted. © 2022 DuPont.